

Specification

1. Item

Product	GSM900 HPA
Partnumber	EHM-0925-40-30

2. Revision History

Issued / Revision	R&D Approved	Revision Detail
2012-DEC-14	YHL	Draft
2013-MAR-15 (Rev.01)	YHL	Specs are changed. 1. Efficiency: 45~50% 2. Length: 65mm 3. RF SAW added 4. Freescale 15W TR is used.
2013-June-20 (Rev.02)	YHL	Specs are changed. 1. Efficiency: 52% typical 2. TR changed.
2013-Aug-26 (Rev.03)	YHL	Specs are changed. 1. RVS Detector is added. efficiency will be reduced by 3~4% (typ.: 2%) 2. The size is changed from 130(W) x 65(L) x 22(H) to 130(W) x 52(L) x 22(H) mm. 3. TANTAL CAPACITOR will be applied.
2014-July-09 (Rev.04)	YHL	The following specs are changed. 1. The size is changed from 130(W) x 52(L) x 22(H) 120(W) x 52(L) x 22(H) mm.
2016-Nov-09 (Rev.05)	YHL	The 4 thru holes are changed to... Ø3.2 thru Ø3.2 countersinking thru holes

Design	R & D	Approval
		
CYKIM		

Customer:	Date:	Part No.: EHM-0925-40-30
-----------	-------	--------------------------

General Specification

No.	Parameter	Specification	Unit
1	Operating Frequency Range	925 ~ 960 MHz	-
2	Operating Bandwidth	35 MHz	With SAW Filter
3	Gain	30dB±1.0dB	-
4	Gain Flatness	2dB (p-p)	@ large signal Gain
5	P1dB	40dBm min	@10W
6	Input / Output VSWR	1.5 :1 max.	@with in isolator
7	Enable (ON/OFF)	Enable : TTL Low	-
8	DETECTOR RANGE	40dBm / 3.5V RSSI Slope(Over 50mV/dB)	-
9	Operating Voltage	28V	-
10	Power efficiency	52% (typ.), 50%(min.)	-
11	Current	0.69A (typ.), 0.715A (max.)	-
12	Operating Temperature	-20 ~ +60°C	-

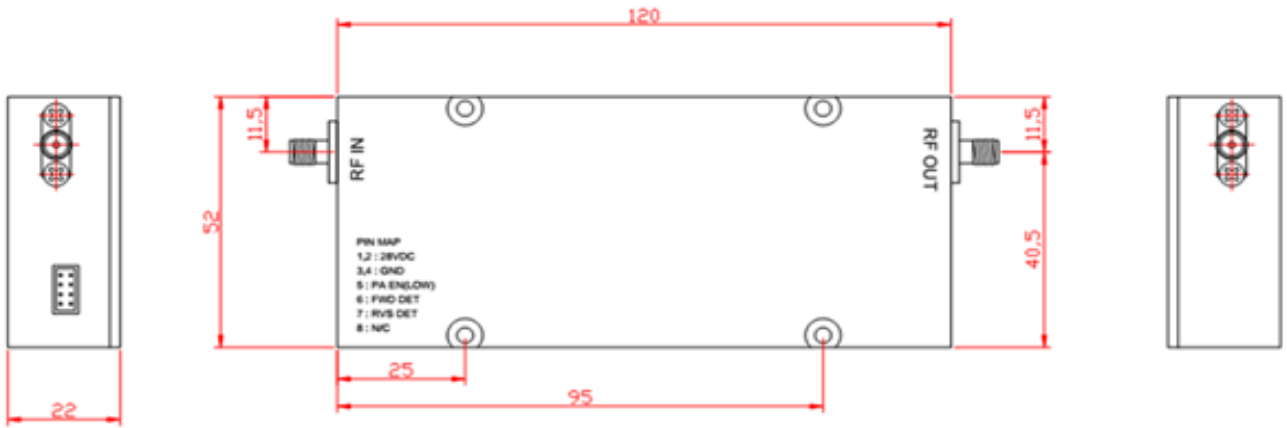
1. RVS Detector is added.
→ efficiency will be reduced by 3~4% (Typical: 2%)
2. RVS Power Table: TBD

Mechanical Specification

No.	Parameter	Specification	Unit
1	Dimension	120*52*22	W * D * H (mm)
2	Connector Type	SMA Female	-
3	Pin Map	DF11-6DP-2DS	-
	1 : 28V		
	2 : 28V		
	3 : GND		
	4 : GND		
	5 : PA ENB(Active Low)		
	6 : FWD DET		
	7 : RVS DET		
	8 : NC		

■ Mechanical Dimension [Unit: mm]

- IN/OUT & POWER Connectors can be moved a little.



E ▶ RF
SOLUTION