

# Specification

## 1. Item

Product	960~1215MHz HPA 200W
Partnumber	EHM-0960-53-58

## 2. Revision History

Issued / Revision	R&D Approved	Revision Detail



Design	R & D	Approval
		
CYKIM		

Customer:	Date:	Part No.: EHM-0960-53-58
-----------	-------	--------------------------

## General Specification

No.	Parameter	Specification	Unit
1	Operating Frequency Range	960 ~ 1215MHz	-
2	Output Power(Peak)	200Watts(+53dBm) typ.	-
3	Gain	58dB min.	-
4	Gain Flatness	±1.0dB typ.	-
5	Carrier Modulation	CW, 4FSK, QPSK, 16QAM, OFDM (Linear modulations with back-off power)	-
6	Max Duty Cycle	35% for peak power with 8 msec on time. CW for reduced power of 40 watts.	-
7	Input VSWR	1.5 : 1	-
8	OIP3	60dBm min. @44dBm/Tone, 1MHz Spacing	-
9	Harmonics	40dBc min.	-
10	Spurious	60dBc min.	-
11	Tx to Rx isolation	55dB typ. (50dB min.)	-
12	Tx to Rx Switching time	10 uS	-
13	Rx Path Insertion Loss	-1.5dB typ.	-
14	Normal Operating Voltage	+28V ±0.5VDC	-
15	Current Consumption	17A typ.(11A max.)	-
16	Operating Case Temperature	-40°C ~ +70°C	-
17	Relative Humidity	0 to 90% RH (non-condensing)	-
18	Dimension	233 * 130 * 28mm	-
19	Cooling	Convection Cooling(External Heatsink)	-
20	DC Connector	(Tx) Input : SMA Female, ANT : N Female (Rx) Output : N Female	-
21	DC Connector	26013116 (Molex)	-
22	I/O Interface Connector	22057075 (Molex)	-

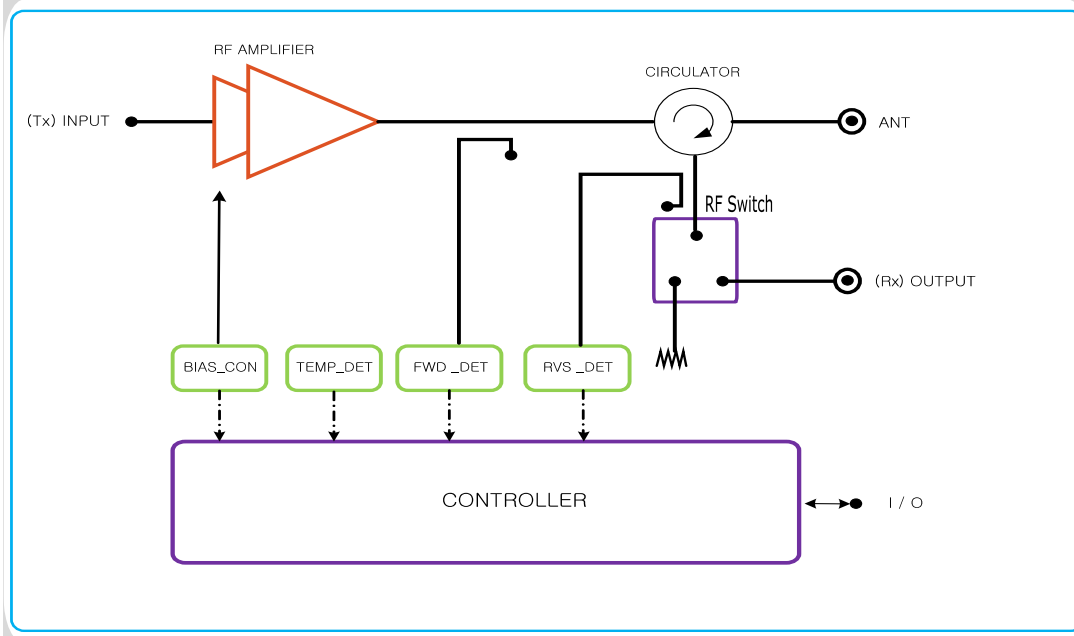
### I/O Interface Connector (22057075)

Pin No.	Description	Specifications
4,5,6	VDD	+28VDC
1,2,3	GND	Ground

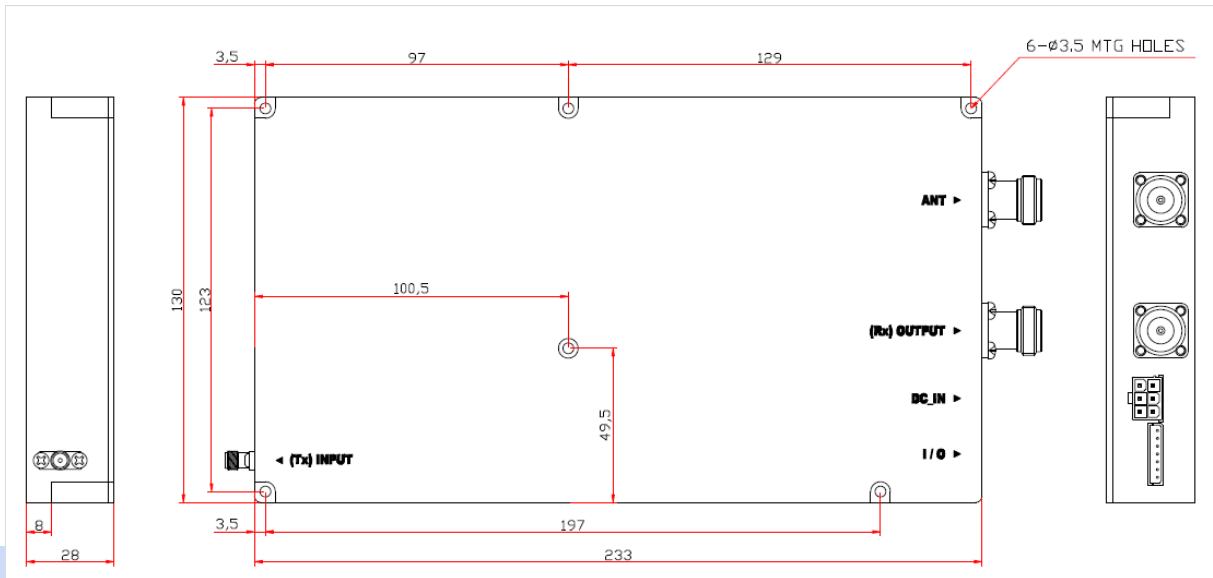
### I/O Interface Connector (22057075)

Pin No.	Description	Specifications
1	Current Monitor	1.0V@5A, 0.2V/A
2	PA Shutdown	PA ON : TTL "Low", PA OFF : TTL "High" (Internally Pulled-High)
3	Temperature Monitor	0.75VDC@+25°C, (10mV/°C x Temp.) + 500mV
4	Forward Power Monitor	+3.0V±40mV @+51dBm, CF, 40mV/dB
5	Reverse Power Monitor	+2.5V±40mV @+41dBm, CF, 40mV/dB
6	Tx/Rx Switching	Tx ON : TTL "Low", Rx ON : TTL "High" (Internally Pulled-Low)
7	GND	Ground

### Block Diagram



■ Mechanical Dimension [Unit: mm]



ECHO RF SOLUTION