

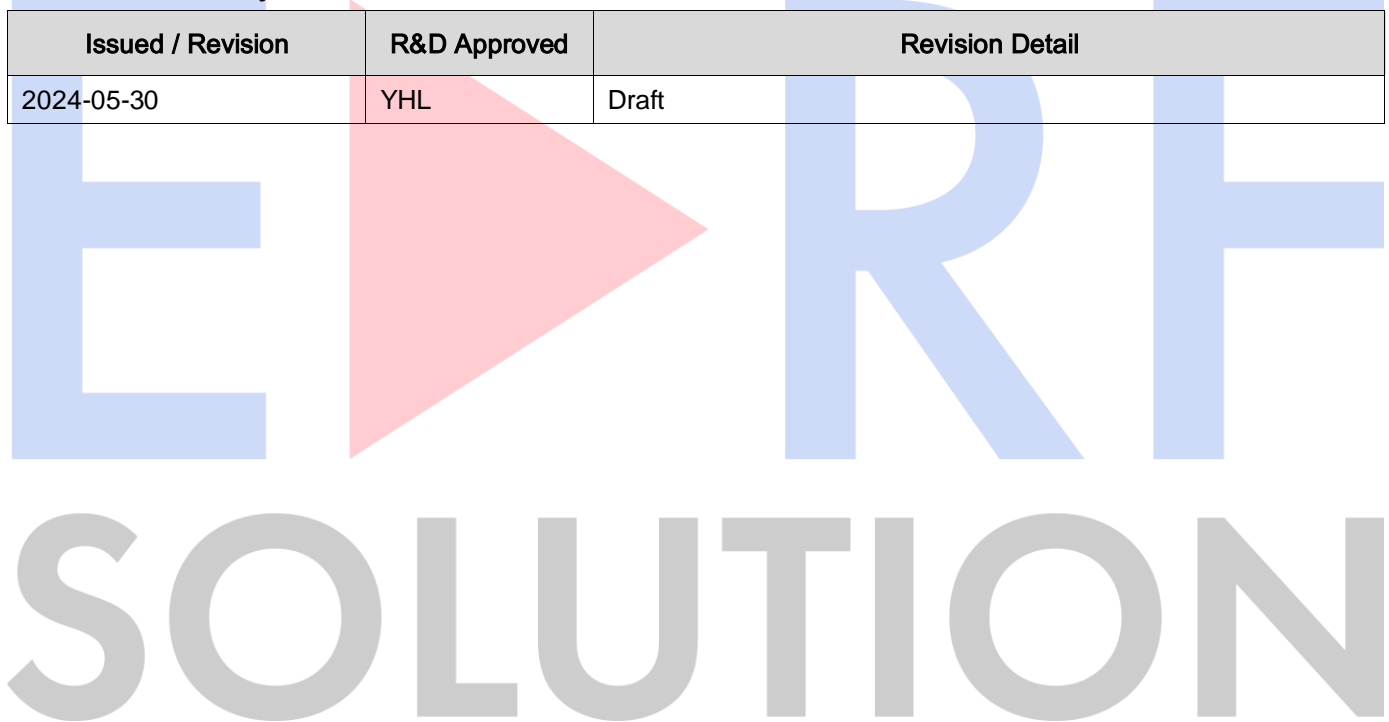
Specification

1. Item

Product	3300~3800MHz Amplifier (10W)
Partnumber	EHM-3300-40-43-PL

2. Revision History

Issued / Revision	R&D Approved	Revision Detail
2024-05-30	YHL	Draft



Design	R & D	Approval
		
CYKIM		

Customer:	Date:	Part No.: EHM-3300-40-43-PL
-----------	-------	-----------------------------

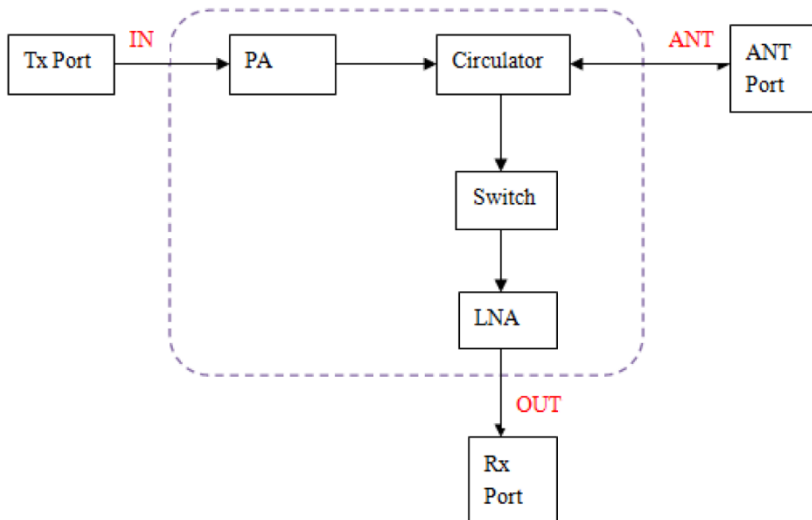
General Specification

No.	Parameter	Specification	Unit	
1	Operating Frequency Range	3300MHz ~ 3800MHz	-	
2	Instantaneous Bandwidth	100MHz max	-	
3	Signal Modulation	5G NR DL Signal 100MHz	-	
4	RF Port Return Loss	14dB min	-	
5	TDD Switching Time	5us typ.(10uS max.)	-	
6	Tx	Output Power(Pavg)	10W(+40dBm) min.	
7		Gain	43dB typ.	
8		Gain Flatness	± 1.0dB typ.(± 1.5dB max.)	
9		ACLR @Pout : 10W	-45dBc min.@ ±100MHz -45dBc min.@ ±200MHz	
10		Harmonics	-45dBc min	
11		Spurious Signals	-60dBc min	
12		Output Power(P1dB)	+20dBm min.	
13		Rx	Gain	20dB typ.
14			OIP3	+33dBm min.
15			Noise Figure	4.0dB typ.
16	Supply Voltage	+50VDC±0.2	-	
17	Supply Current	1.2A typ. (1.5A max.)	-	
18	Operating Case Temperature	-30°C ~ +80°C	-	
19	Relative Humidity	0% ~ 95%	Non-condensing	
20	Protection	Thermal Overload (Shutdown +85°C, Auto-restart +75°C)	-	

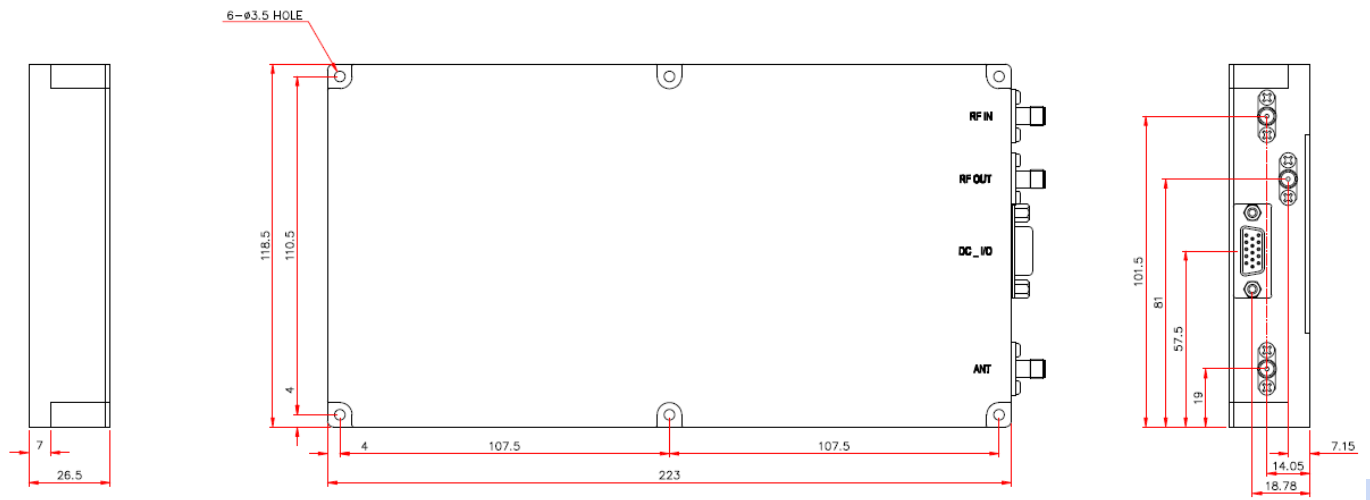
Mechanical Specification

No.	Item	Parameter / Explanation	Remark
1	Dimension(W*D*H)	223 * 118.5 * 26.5 mm	Target
2	RF Connector Type	IN, OUT, ANT	SMA Female
3	Pin Map (D-sub 15Pin Male)	1. Forward Power Monitor	3.0V@+40dBm
		2. Reverse Power Monitor	3.0V@+40dBm
		3. Temperature Monitor	(10 mV/°C x Temp) + 500 mV
		4,5. GND	Ground
		6. PA ON(High)	3.3V : TTL/CMOS
		7. LNA ON(High)	3.3V : TTL/CMOS
		8,9,10. GND	Ground
		11,12,13. VDD	+50VDC
	14,15	NC	
4	Cooling	External Heatsink	

BLOCK-DIAGRAM



Dimension [Unit: mm]



ECHO RF SOLUTION